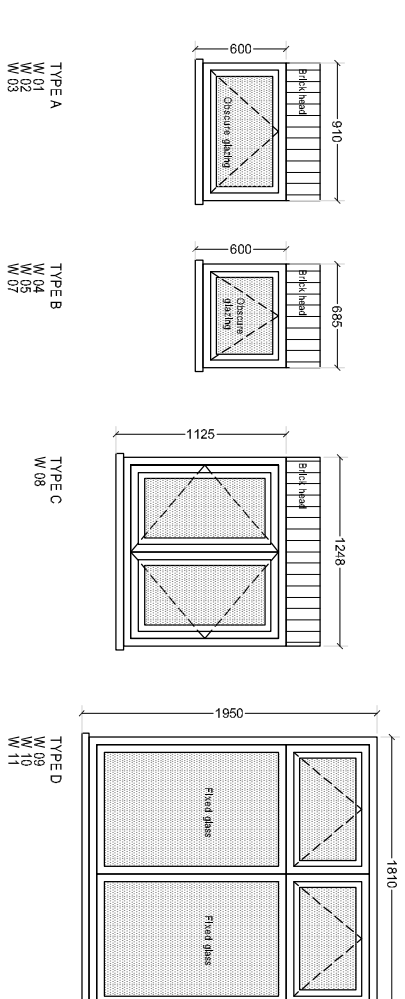


DOOR OPENINGS SCHEDULE UNITS 1 AND 2

Door No	Location	Structural Opening W x H	LINTEL		DOOR type glazing	size W x H	Notes
			Overall Size	Manufacturer To Structural Engineers Design			
ED 01	Club Room	5410 x 2400	5710	Cainic	Type A	5410 x 2100	Glazed top light to be 5410 x 300. Bl fold to be configured 5 + 1
ED 02	Main Entrance	1810 x 2400	2110	Cainic	Type B	2 no. equal leafs	75mm diameter Fire escape sign, FD30s. Glazed top light to be 1810 x 300. Panic push pads, exact type to be confirmed by Architect
ED 03	Plant	1135 x 2100	1435	Cainic	Type C		75mm diameter Keep locked sign.
ED 04	Tank Room	2372.5 x 2100	2672.5	Cainic	Type D		Roller shutter, colour tbc
ED 05	Bowls Store	2372.5 x 2100	2672.5	Cainic	Type D		Roller shutter, colour tbc
ED 06	Chemical Store	1135 x 2100	1435	Cainic	Type C		75mm diameter Keep locked sign, Chemical Store sign.
ED 07	External Store	2372.5 x 2100	2672.5	Cainic	Type D		Roller shutter, colour tbc
ED 08	Football Store	2372.5 x 2100	2672.5	Cainic	Type D		Roller shutter, colour tbc
ED 09	Players Corridor	1022.5 x 2100	1322.5	Cainic	Type E		Panic push pads, exact type to be confirmed by Architect. 75mm diameter Fire escape sign, FD30s
ED 10	Club Room	1810 x 2100	2110	Cainic	Type F		Panic push pads, exact type to be confirmed by Architect. 75mm diameter Fire escape sign, FD30s
ED 11	Club Room	1810 x 2100	2110	Cainic	Type F		2 no. equal leafs
ED 12	Club Room	1810 x 2900	2110	Cainic	Type G		Panic push pads, exact type to be confirmed by Architect. 75mm diameter Fire escape sign, FD30s
DD1	Club Room / Store	1740 x 2100	1310	Cainic	Type H		75mm diameter Keep locked sign, FD60s
DD2	Club Room / Store	1010 x 2100	1310	Cainic	Type J		926 x 2040
DD3	Club Room / Kitchen	1010 x 2100		Timber	Type K		75mm diameter Fire escape sign, All vision panels to be 1600mm x 150mm clear glazed, with beads to match door veneer, FD60s
DD4	Club Room / Lobby	1340 x 2100		Timber	Type L		75mm diameter Fire escape sign, All vision panels to be 1600mm x 150mm clear glazed, with beads to match door veneer, FD60s
DD5	Lobby / Players Corridor	1010 x 2100		Timber	Type K		1 no. 826 x 2040 1 no. 426 x 240
DD6	Players corridor / Changing 1	1010 x 2100		Timber	Type K		75mm diameter Fire escape sign, All vision panels to be 1600mm x 150mm clear glazed, with beads to match door veneer, FD30s
DD7	Changing 1	1010 x 2100		Timber	Type M		75mm diameter Fire escape sign, All vision panels to be 1600mm x 150mm clear glazed, with beads to match door veneer, FD30s
DD8	Players corridor / Changing 2	1010 x 2100		Timber	Type K		926 x 2040
DD9	Changing 2	1010 x 2100		Timber	Type M		926 x 2040
DD10	Cleaners Store	1010 x 2100		Timber	Type J		75mm diameter Keep locked sign, FD30s
DD11	Ref 2	1010 x 2100		Timber	Type N		926 x 2040
DD12	Ref 2 / WC	1010 x 2100		Timber	Type N		75mm diameter Ref sign, FD30s
DD13	Ref 1 / WC	1010 x 2100		Timber	Type N		926 x 2040
DD14	Ref 1	1010 x 2100		Timber	Type N		75mm diameter Ref sign, FD30s
DD15	Male WC	1010 x 2100		Timber	Type N		926 x 2040
DD16	Lobby / Male WC	1010 x 2100		Timber	Type N		75mm diameter SS W/C sign.
DD17	Disabled WC	1010 x 2100		Timber	Type N		926 x 2040
DD18	Lobby / Female WC	1010 x 2100		Timber	Type N		75mm diameter SS W/C sign.
DD19	Female WC	1010 x 2100		Timber	Type N		926 x 2040

WINDOW OPENINGS SCHEDULE UNIT 3 AND 4

Window No	Location	Structural Opening W x H	LINTEL		WINDOW type glazing	Notes
			Overall Size	Manufacturer		
W01	Female WC	910 x 600	1210	Cainic	Type A	Top hung casement, aluminium frame, obscure glazed
W02	Ref 1	910 x 600	1210	Cainic	Type A	Top hung casement, aluminium frame, obscure glazed
W03	Ref 2	910 x 600	1210	Cainic	Type A	Top hung casement, aluminium frame, obscure glazed
W04	Changing 2	685 x 600	985	Cainic	Type B	Top hung casement, aluminium frame, obscure glazed
W05	Changing 2	685 x 600	985	Cainic	Type B	Top hung casement, aluminium frame, obscure glazed
W06	Changing 1	685 x 600	985	Cainic	Type B	Top hung casement, aluminium frame, obscure glazed
W07	Changing 1	685 x 600	985	Cainic	Type B	Top hung casement, aluminium frame, obscure glazed
W08	Kitchen	1247.5 x 1125	1547.5	Cainic	Type C	Slide hung casement, aluminium frame
W09	Club Room	1810 x 1950	2110	Cainic	Type D	Top hung casement, aluminium frame, obscure glazed
W10	Club Room	1810 x 1950	2110	Cainic	Type D	Top hung casement, aluminium frame, obscure glazed
W11	Club Room	1810 x 1950	2110	Cainic	Type D	Top hung casement, aluminium frame, obscure glazed

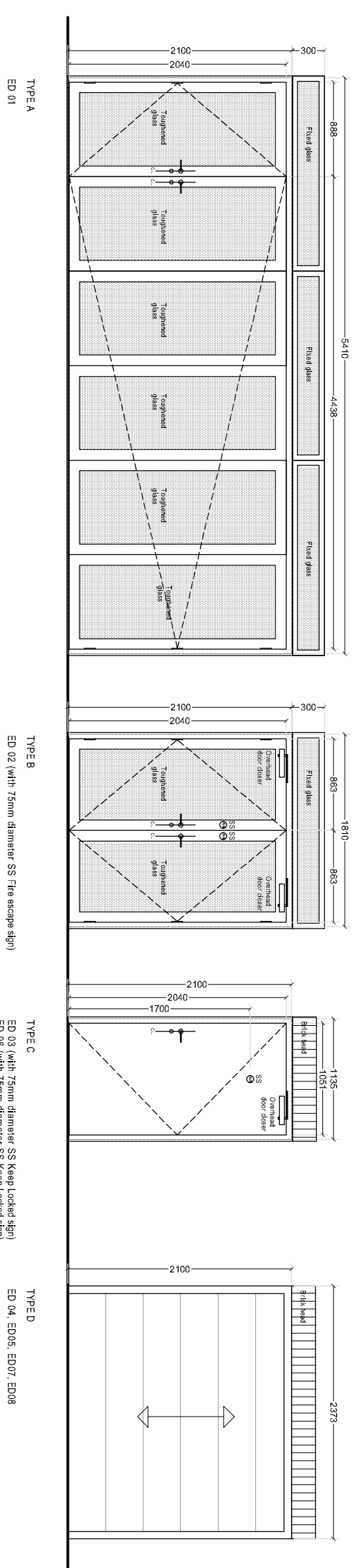


GLAZING

All windows and doors to be double glazed, with sealed units having a minimum 20mm gap filled with argon gas and low E glass. All frames are to be sealed around the perimeter with Acrylic and caulking.
 A sealed unit double glazing comprising two panes of clear float glass with 20mm airspace.
 All glazing doors, sash panels and windows in critical locations as defined under the Building Regulations, to have laminated safety glass to BS 6222 part 1 1994.
 A clear sealed unit double glazing comprising 2 panes clear float glass with 20mm air space.
 B as A above, but outer pane to be etched decorative glass.
 C as A above but outer pane to be 6.4mm laminated glass.
 D as A above, but both panes to be 6.4mm laminated safety glass.
 E as B above, but both panes to be 6.4 mm laminated safety glass.
 F - From fire resisting safety glass

Ground floor windows and doors accessible from lower levels to be sealed to BS 7992 1997 for fire resistance. The window frame and door frame to be fire rated. The window frame should be 6.4mm laminated glass and no locking handle fitted.
 Any window provided for emergency escape purposes and any external door provided for escape should comply with the following conditions:
 a) The window should have an unobstructed operable area that is at least 0.33m² and at least 400mm high and 400mm wide. The window may be set at an angle where the operable area is above the door of the operable area shall be no more than 1100mm above the finished floor level.
 b) The window or doors should enable the person escaping to reach a place free from danger from fire.
 c) Floor or window should be fitted with self-closing window hinges allowing the window to open no more than 100mm. The window should be over-ridable to allow for full clearing of the window outside face of the window from inside (PART N) and escape when required (PART B).
 Where opening lights open over pathways, windows are to be fitted.

Trade work are to be fixed to all windows, doors and fire area to kitchen and bathroom, 600mm to height and suspension. All work shall be 90 degrees.
Window and door sizes are indicative for tender purposes and actual opening sizes are to be checked on site prior to order and manufacture of the windows and doors.



GLAZED SCREENS:

All glazing to be designed with BS 11mm min. profile central key operated lock bolt lock. 3 sets of keys provided at handover. Full fall safe facility to satisfy means of escape requirements of the Statutory Authority.
 Doors to be wired to the distribution board by Developer.
 Automatic closers and installation to comply with BS 7236.
 Infrared alarm contacts to be supplied and fitted to doors by the Alarm Contractor.
SECURITY SHUTTERS:
 Electrically operated (control located internally adjacent to entrance, with external 'key-lock' operation) perforated security shutter external, (ED01, ED02, ED03, ED06, ED09, ED10, ED11, ED12, W01, W02, W03, W04, W05, W06, W07, W08) with galvanised steel laths, min 20 gauge, 75mm steel 'I' or inverted 'T' section bottom rail and 75mm steel guides fitted to masonry by expanding bolts and finished with a 30% glass polyester powder coat.
 External shutter box is to be fitted over the shutter unit, complete formed to meet the fire rating of the shutter and to be fitted to the shutter surround with provision for the manual hand winding release.

WINDOWS:

Windows (W01, W02, W03, W04, W05, W06, W07, W08, W09, W10 and W11) to be lockable, thermally broken polyester powder-coated aluminium framed and double glazed with laminated glass. All glazing to be set into a black neoprene double strip.
 Windows to have opening restrictors.
 Decorated softwood window boxes and finings.
 Windows to have security shutter externally.

FIRE EXIT DOORS:

Doors (ED02, ED09, ED10 and ED12) to be galvanised steel security door sets and frames with polyester powder coated finish.
 4 point fire escape ironmongery, with central push bar / pad securely bolted to structure.
 Externally doors should have the joints tapered on 3 sides to prevent forcing.
 Escape signage and external bulkhead lights generally to each fire escape door.
ROLLER SHUTTER DOORS:

Electrically operated roller shutter doors (ED04, ED05, ED07, ED08) 2100mm high x 2372.5mm wide (clear opening).
 Minimum of 20kg galvanised steel scuffed lath with each alternative lath fixed with zinc plated end bolts and a 1.0mm (min) galvanised steel bottom. Shutter guide angles to be min 75 x 60 x 6mm BSA fixed at max 500mm centres. Door end plate min 6mm thick with the support bearing to be fitted on the outside face.
 Roller casting with 20kg galvanised steel sheet with a 50mm stem equally fitted to the main structure, where fitted externally a silicone seal or suitable weather proofing is to be applied to the return.
 Barrel assembly should be designed to a max deflection of 1-400.
 Motor and drive are to have built in safety break.
 Come complete with a key operated switch to prevent unauthorised use and emergency manual disengage and override hand chain.
 Doors to be polyester powder coated finish both sides. (refer to external finishings schedule).
 Shutter doors are to be fitted complete and matching cased doors fixed to the wall to ensure shutter scanned the operated whilst locked.

COPYRIGHT NOTICE:
 This drawing is the copyright of the Architects and may not be reproduced or used except by written permission.

NOTE:
 DRAWINGS TO BE READ IN CONJUNCTION WITH ALL OTHER CONSULTANTS DRAWINGS

NOTE:
 DRAWINGS TO BE READ IN CONJUNCTION WITH ALL OTHER CONSULTANTS DRAWINGS

T1 210215 SS ISSUED FOR TENDER
 B1 04/21/15 Issued for approval



Perit Innovation Park, Nottingham Road
 Melton Mowbray, LE13 0PB
 Telephone: 01664 503 288 Fax: 01664 503 300
 E-Mail: info@nssparchitects.co.uk Web: www.nssparchitects.co.uk

Proposed New Sports Pavilion
 Shakespear Park
 Braunstone
 For Braunstone Town Council

NO.	DATE	CHECKED	DATE
1	22/09/15	SS	17
2	22/09/15	SS	17
3	22/09/15	SS	17
4	22/09/15	SS	17
5	22/09/15	SS	17
6	22/09/15	SS	17
7	22/09/15	SS	17
8	22/09/15	SS	17
9	22/09/15	SS	17
10	22/09/15	SS	17
11	22/09/15	SS	17
12	22/09/15	SS	17
13	22/09/15	SS	17
14	22/09/15	SS	17
15	22/09/15	SS	17
16	22/09/15	SS	17
17	22/09/15	SS	17
18	22/09/15	SS	17
19	22/09/15	SS	17
20	22/09/15	SS	17
21	22/09/15	SS	17
22	22/09/15	SS	17
23	22/09/15	SS	17
24	22/09/15	SS	17
25	22/09/15	SS	17
26	22/09/15	SS	17
27	22/09/15	SS	17
28	22/09/15	SS	17
29	22/09/15	SS	17
30	22/09/15	SS	17
31	22/09/15	SS	17
32	22/09/15	SS	17
33	22/09/15	SS	17
34	22/09/15	SS	17
35	22/09/15	SS	17
36	22/09/15	SS	17
37	22/09/15	SS	17
38	22/09/15	SS	17
39	22/09/15	SS	17
40	22/09/15	SS	17
41	22/09/15	SS	17
42	22/09/15	SS	17
43	22/09/15	SS	17
44	22/09/15	SS	17
45	22/09/15	SS	17
46	22/09/15	SS	17
47	22/09/15	SS	17
48	22/09/15	SS	17
49	22/09/15	SS	17
50	22/09/15	SS	17
51	22/09/15	SS	17
52	22/09/15	SS	17
53	22/09/15	SS	17
54	22/09/15	SS	17
55	22/09/15	SS	17
56	22/09/15	SS	17
57	22/09/15	SS	17
58	22/09/15	SS	17
59	22/09/15	SS	17
60	22/09/15	SS	17
61	22/09/15	SS	17
62	22/09/15	SS	17
63	22/09/15	SS	17
64	22/09/15	SS	17
65	22/09/15	SS	17
66	22/09/15	SS	17
67	22/09/15	SS	17
68	22/09/15	SS	17
69	22/09/15	SS	17
70	22/09/15	SS	17
71	22/09/15	SS	17
72	22/09/15	SS	17
73	22/09/15	SS	17
74	22/09/15	SS	17
75	22/09/15	SS	17
76	22/09/15	SS	17
77	22/09/15	SS	17
78	22/09/15	SS	17
79	22/09/15	SS	17
80	22/09/15	SS	17
81	22/09/15	SS	17
82	22/09/15	SS	17
83	22/09/15	SS	17
84	22/09/15	SS	17
85	22/09/15	SS	17
86	22/09/15	SS	17
87	22/09/15	SS	17
88	22/09/15	SS	17
89	22/09/15	SS	17
90	22/09/15	SS	17
91	22/09/15	SS	17
92	22/09/15	SS	17
93	22/09/15	SS	17
94	22/09/15	SS	17
95	22/09/15	SS	17
96	22/09/15	SS	17
97	22/09/15	SS	17
98	22/09/15	SS	17
99	22/09/15	SS	17
100	22/09/15	SS	17