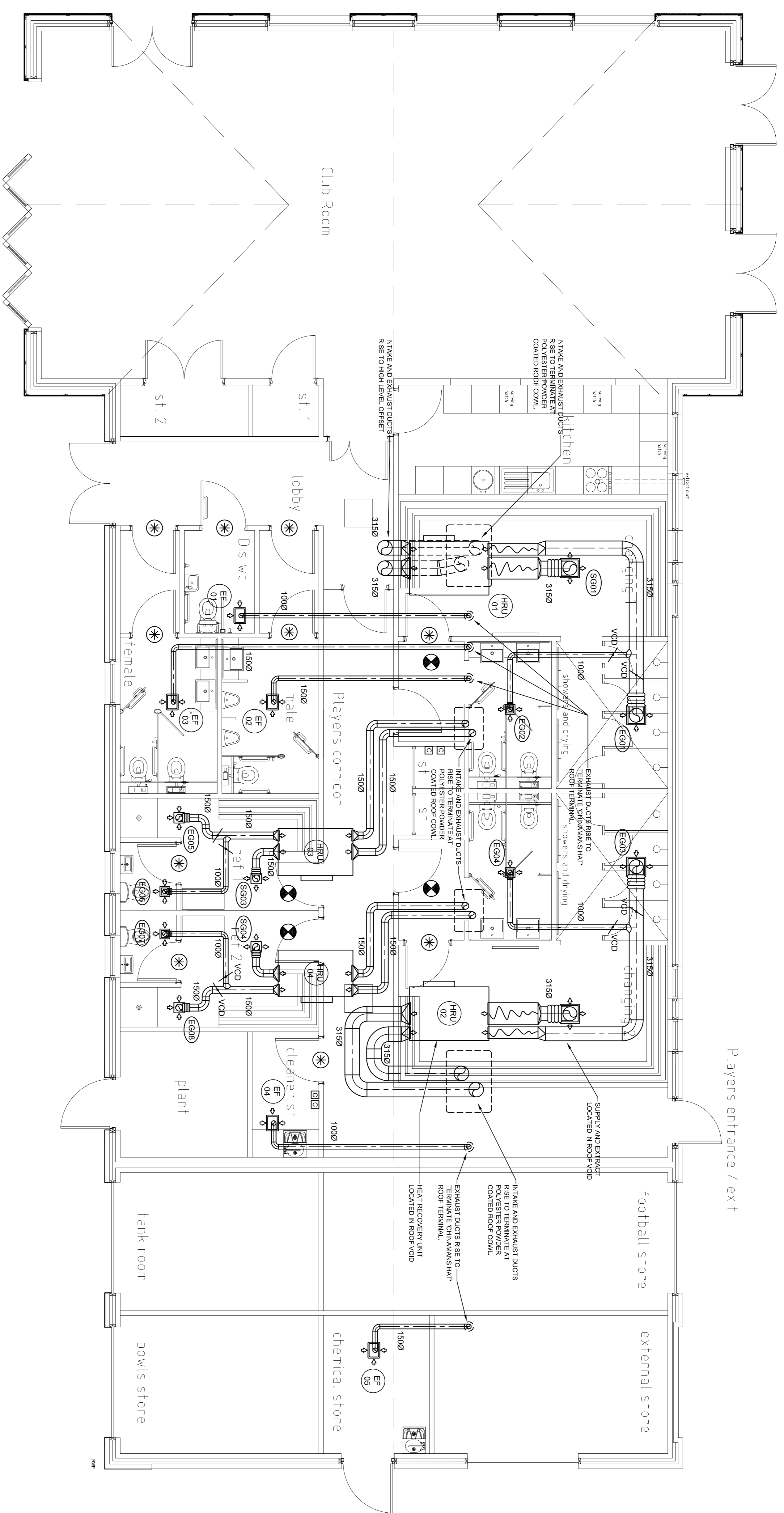
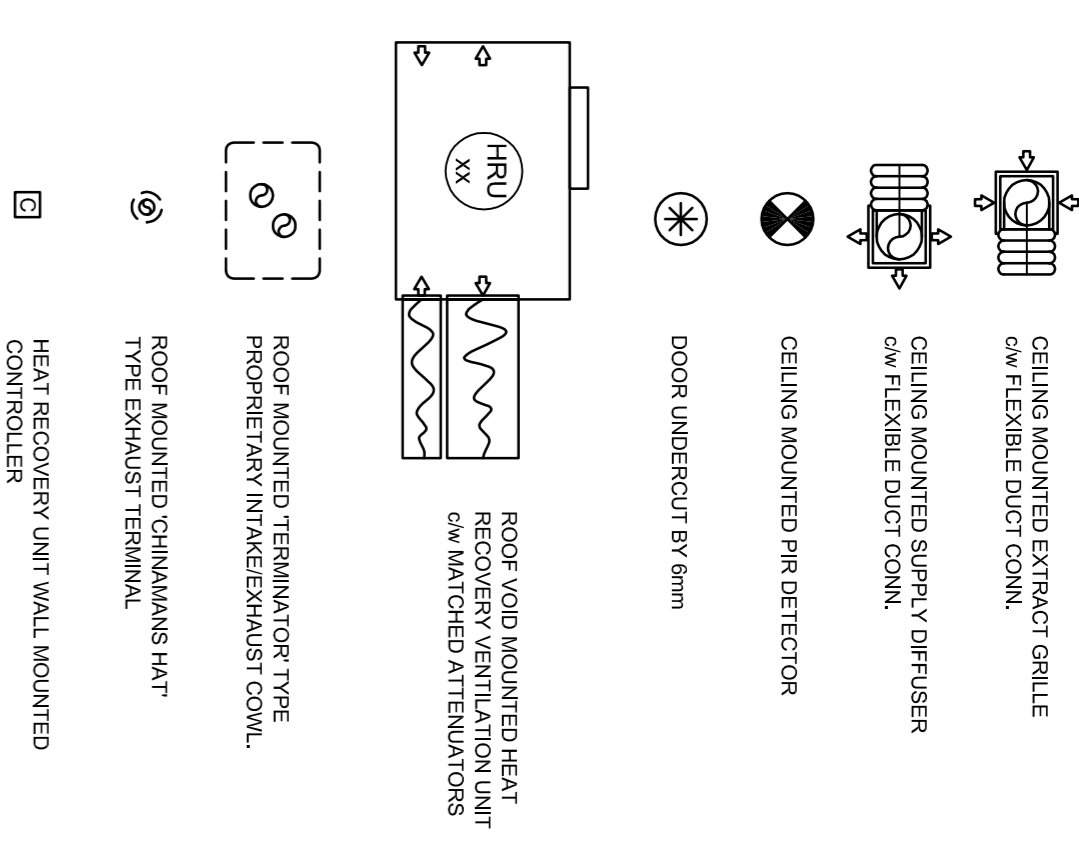
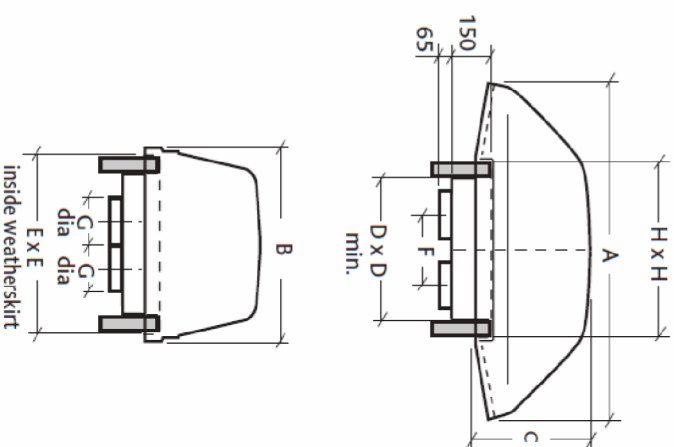


LEGEND



TYPICAL CHINAMANS HAT ROOF TERMINATION

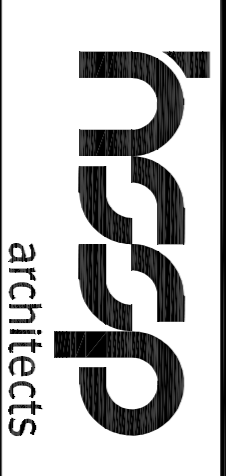


TYPICAL ROOF COWL TERMINATION

rev.	description	date	drawn	approved
A	Tender Issue	Dec-17	BB	HRW
P	Preliminary for comment	Nov-17	BB	HRW

Information approval tender contract construction

Axis Mechanical & Electrical Consulting Engineers
 No. 8 Poplars Court
 London Lane
 London E16 3RQ
 United Kingdom
 tel: +44 (0) 115 9791875
 fax: +44 (0) 115 9249179
 email: mail@axisconsult.co.uk
 www.axisconsult.co.uk



client
 Project
 NEW SPORTS PAVILION
 BRAUNSTONE

Drawing
 MECHANICAL SERVICES
 PROPOSED MECHANICAL VENTILATION

drawn	approved	date	scale
BB	IRW	NOV/17	1:50@A1

drawing ref. AX1725 / M / 03
 revision A